

COILS

COLD DRAWN RIBBED B500A (DE500BS)

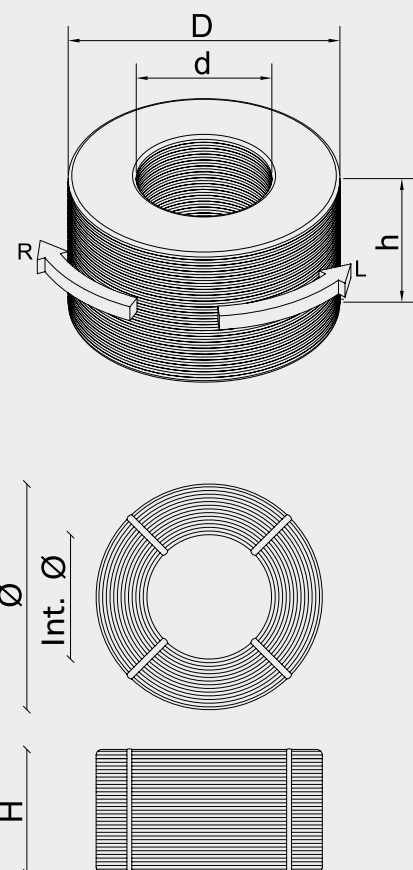
Diameter (mm)	Minimum coil weight (kg)	Maximum coil weight (kg)
4	1600	3000
5	1600	3000
6	1600	4700
7	1600	4700
8	1600	4700
9	1600	4700
10	1600	4700
11	1600	4700
12	1600	4700
13	2000	4700
14	2000	4700
16	2000	4700

COMMENTS

- Diameters ≤ 5 are quality B500 instead of B500A and are not certified for any country
- Only diameters 6, 8, 10 and 12 are certified for Germany
- Diameter 13 is not certified for the Netherlands
- Different coil weights upon request
- Our coils can unwind to the left or to the right

TARGET DIMENSIONS

	1600 (kg)	2000 (kg)	2500 (kg)	3000 (kg)	4000 (kg)	4700 (kg)
Int. \varnothing	600	600	600	600	600	600
H (mm)	700	700	700	700	980	980
\varnothing (mm)	1000	1100	1200	1200	1200	1300



Certificates Intersig NV



Certificates Van Merksteijn International

Certificates Intersig France



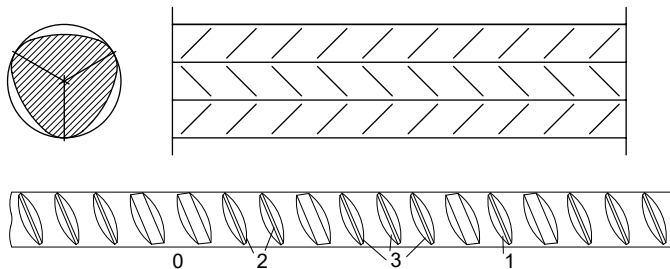
For the up to date scope on our certificates, we would like to refer you to our website.

COILS COLD DRAWN RIBBED B500A (DE500BS)

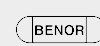
GRADE B500A - DE500BS

Mechanical characteristics	Yield strength Re (Mpa)	Stress ratio Rm/Re		Total elongation at max force Agt %	
		$5 \leq d \leq 5.5$	$d \geq 6$	$5 \leq d \leq 5.5$	$d \geq 6$
Minimum characteristic value Cv	500	1,03	1,05	2,5	3,5

PRODUCERS MARK



Certificates Intersig NV



Certificates
Van Merksteijn
International

Certificates
Intersig France



For the up to date scope on our certificates, we would like to refer you to our website.