

COILS

COLD DRAWN INDENTED B500B (BE500ES)

Diameter (mm)	Minimum coil weight (kg)	Maximum coil weight (kg)
6	1600	4700
8	1600	4700
10	1600	4700
12	1600	4700
14	2000	4700
16	2000	4700
20	4000	4700

COMMENTS

- Diameter 20 is not certified for Germany
- Coils in diameter 20 have an inner diameter of 900mm instead of 600mm
- Different coil weights upon request
- Our coils can unwind to the left or to the right

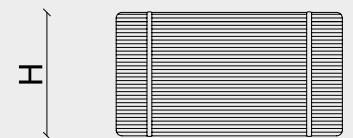
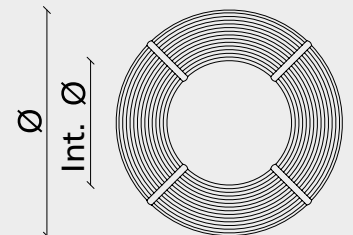
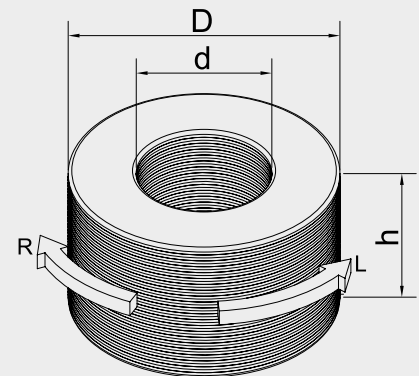
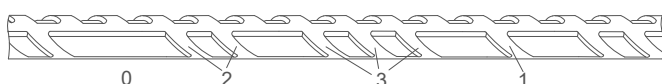
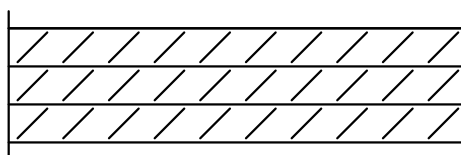
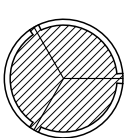
TARGET DIMENSIONS

	1600 (kg)	2000 (kg)	2500 (kg)	3000 (kg)	4000 (kg)	4700 (kg)
Int. ø	600	600	600	600	600	600
H (mm)	700	700	700	700	980	980
ø (mm)	1000	1100	1200	1200	1200	1300

GRADE B500B - BE500ES

Mechanical characteristics	Yield strength Re (Mpa)	Stress ratio Rm/Re	Total elongation at max force Agt %
Minimum characteristic value Cv	500	1,08	5,5

PRODUCERS MARK



Certificates Intersig NV



Certificates Van Merksteijn International

Certificates Intersig France



For the up to date scope on our certificates, we would like to refer you to our website.

