

Smooth/soft B235C

ROL.WA-GL-B235C



	KG / COIL	
ø 5.5	1.600	
ø 6	1.600	
ø 8	1.600	
ø 10	1.600	
ø 12	1.600	
ø 14	1.600	
ø 16		2.000

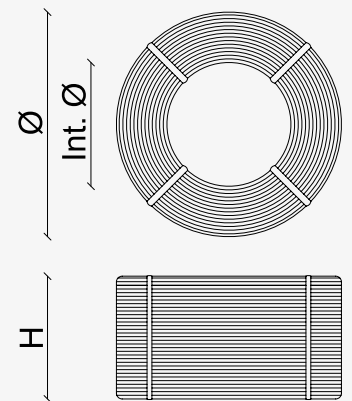
Other combinations on demand.

Target dimensions

	1.600 KG	2.000 KG	2.500 KG	3.000 KG	4.000 KG	5.000 KG
Int. ø	600	600	600	600	600	600
H (mm)	700	700	700	700	980	980
ø (mm)	1.000	1.100	1.200	1.200	1.200	1.300

Grade B235C according to NF A35-015 (Smooth/soft)

Mechanical characteristics	Yield Strength Re (Mpa)	Stress ratio Rm / Re	Total elongation at max force Agt %
Minimum characteristic value Cv	235	1,15	10



Certificates Intersig nv

Certificates Intersig France sarl

Certificates Van Merksteijn Steel bv

For the up to date scope on our certificates, we would like to refer you to our website.