

Hot rolled ribbed B500B

ROL.WB-GR-B500B

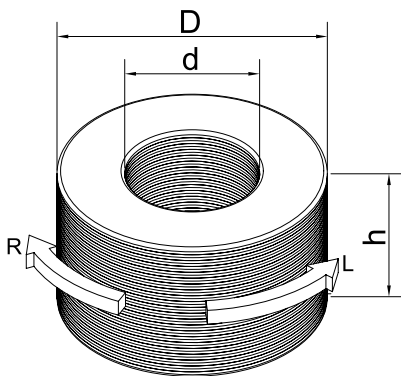


	KG / COIL			
ø 8	2.500	3.000		
ø 10	2.500	3.000		
ø 12	2.500	3.000	4.000	5.000
ø 14	2.500	3.000	4.000	5.000
ø 16	2.500	3.000	4.000	5.000

Other combinations on demand.

Target dimensions

	2.500 KG	3.000 KG	4.000 KG	5.000 KG
Int. ø	600	600	600	600
H (mm)	700	700	980	980
ø (mm)	1.200	1.200	1.200	1.300

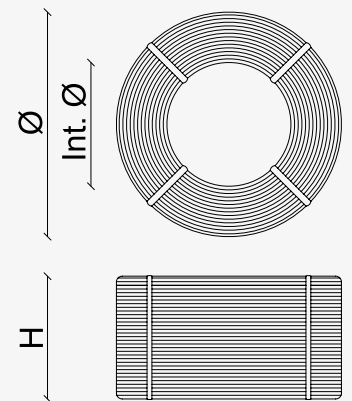
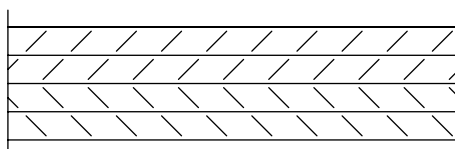


Unwinding to the left and the right are both possible.

Grade B500B - BE500TS (Ribbed)

Mechanical characteristics	Yield Strength Re (Mpa)	Stress ratio Rm / Re	Total elongation at max force Agt %
Minimum characteristic value Cv	500	1,08	5,5

Producers mark



Certificates Intersig nv



Certificates Intersig France sarl



Certificates Van Merksteijn Steel bv



For the up to date scope on our certificates, we would like to refer you to our website.