

Cold drawn smooth B500A

ROL.WA-GL-B500A



	KG / COIL		
ø 4*	2.000		
ø 4.5*		2.500	
ø 5			3.000
ø 6			3.000
ø 7			3.000
ø 8			3.000
ø 10			3.000

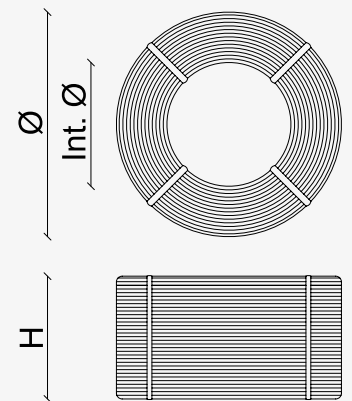
* Diameters < ø5 are quality B500 instead of B500A.
Other combinations on demand.

Target dimensions

	1.600 KG	2.000 KG	2.500 KG	3.000 KG	4.000 KG	5.000 KG
Int. ø	600	600	600	600	600	600
H (mm)	700	700	700	700	980	980
ø (mm)	1.000	1.100	1.200	1.200	1.200	1.300

Grade B500A - DE500BS (Smooth)

Mechanical characteristics	Yield Strength Re (Mpa)	Stress ratio Rm / Re		Total elongation at max force Agt %	
		5 ≤ d ≤ 5.5	d ≥ 6	5 ≤ d ≤ 5.5	d ≥ 6
Minimum characteristic value Cv	500	1,03	1,05	2,5	3,5



Certificates Intersig nv



Certificates Intersig France sarl

Certificates Van Merksteijn Steel bv

For the up to date scope on our certificates, we would like to refer you to our website.